



INSTRUCTION MANUAL

Installation | Maintenance | Use | Safety

Fruit Pulper



Models

DG.10

DG.20

Model: DG.10

Image merely illustrates.

INDEX

1. Safety Information	3
1.1 General Instructions.....	3
2. Technical Specifications	4
2.1 Main Components.....	4
2.2 Technical Data.....	5
3. Installation	5
3.1 Device Layout.....	5
3.2 Electrical Connection	6
3.3 Security Measures and User Instructions.....	7
4. Device's Use	8
4.1 Utility.....	8
4.2 Commands	8
4.3 Operating Procedures.....	9
5. Cleaning and Maintenance	12
5.1 Procedures for Cleaning and Products to be used	12
6. ANNEX	14
Wiring Diagram.....	14
Exploded Drawing	15
Spare Parts List.....	16



WARNING!

Features, photos and figures presented in this manual should be considered for information purposes. IMG BRASIL reserves the right to make modifications as may be necessary without prior notice.

1. Safety Information

1.1 General Instructions

- There are care/precautions that should be observed when assembling, use, maintenance and discontinue using this device;
- Before performing any operation (installation, use, maintenance and reuse after prolonged interruption in the use of the device), read the manual;
- The device must be used by people trained and knowledgeable in use and safety requirements described in this manual;
- This device is not intended for use by persons (including children) with physical, sensory or mental capacities reduced, or people with lack of experience and knowledge, unless they have received instructions regarding the use of the device or under the supervision of a person responsible for their safety;
- It is recommended that children be supervised to ensure that they are not playing with the device;
- In case of alternation of staff to work with the device, the new operator must be instructed on the rules and the operation of the device;
- The operator must use the appropriate PPE (personal protective equipment). For example: use cap in hair preventing it from locking up in moving parts;
- The operator must always be alert to situations that can cause risks of accidents and avoid them. For example: avoid working with loose sleeves uniforms, where they can lock in the moving parts, causing accidents;
- After being held reading and clarified all doubts, this manual should be stored carefully in an easily accessible place, known to all people who will operate the unit and placed the willingness of people to carry out maintenance, for any queries. Whenever there is any doubt, be sure to consult the manual. Do not operate in any way with any questions;
- Upon installation, it is essential to put this manual available for the professionals who will do the same;
- Never place your hands, fingers or objects inside the Bowl with the power on, it might cause an accident;
- Before you start cleaning and any maintenance, it is essential to disconnect the device from the power network;
- Periodically check the condition of cables and electrical parts.



WARNING!

**Do not make repairs yourself. Go to technical assistance authorized by the manufacturer.
Use only original parts in your device.**

2. Technical Specifications

2.1 Main Components

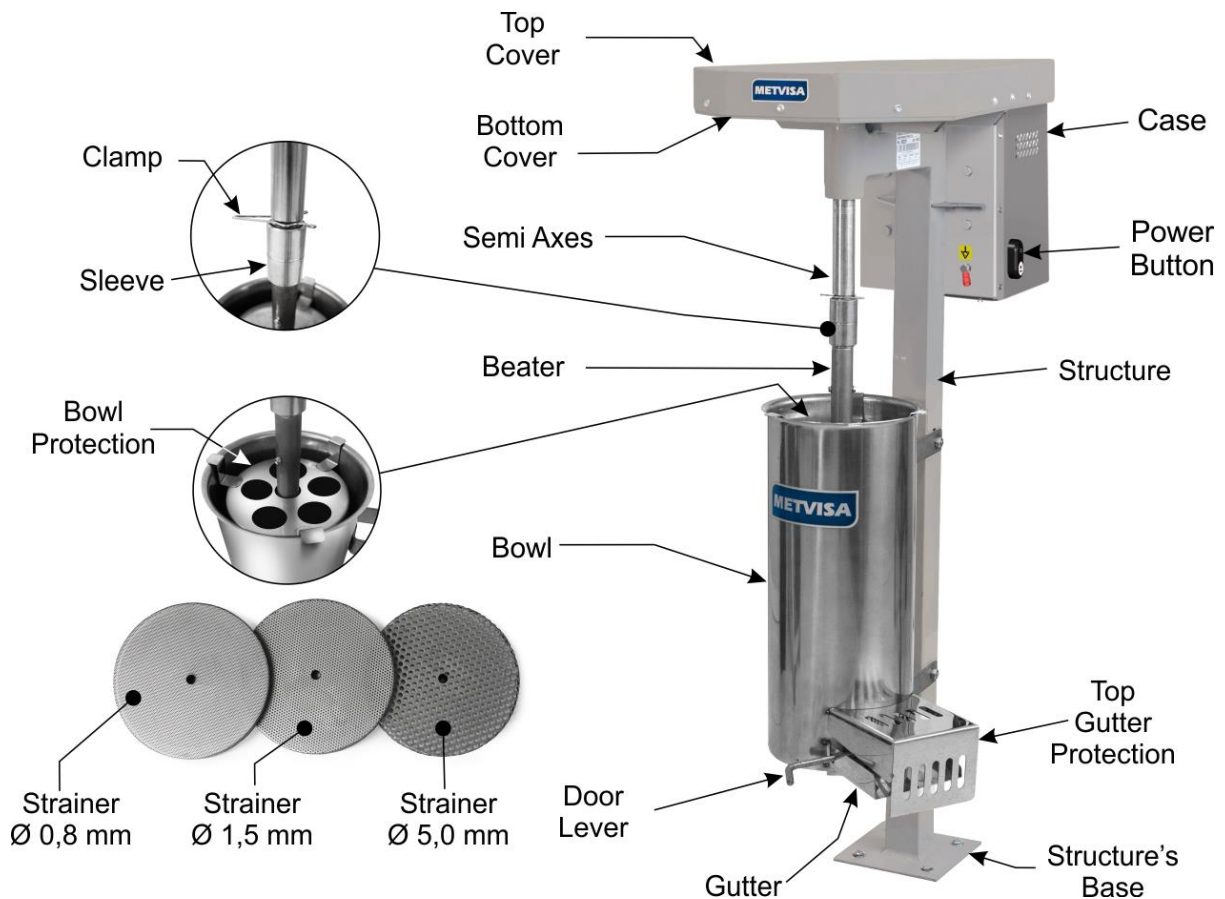
To the device described in this manual, safety in use, cleaning, maintenance and maximum hygiene are guaranteed by design and the special design of all parts, and also used stainless steel and other suitable materials for the contact with fruit.

The device is designed with the following features:

- The Structure, Top Cover and Bottom Cover are produced in steel with epoxy paint, an excellent anticorrosive protection;
- Axis, Semi Axis and Sleeves produced in galvanized stainless steel that protects parts from corrosion;
- Bowl, Bowl Protection, Door, Lever, Beater and Strainer are produced in stainless steel, resistant from attack by various corrosive agents, like most of the organic acids, organic substances in general, alkalis, etc.

Note: Stainless steel is NOT resistant from attack by sulfuric acid, hydrochloric acid and general chlorides and halides.

See below the main components of the device:



Note: To exploded drawing with spare parts list, see annexes.

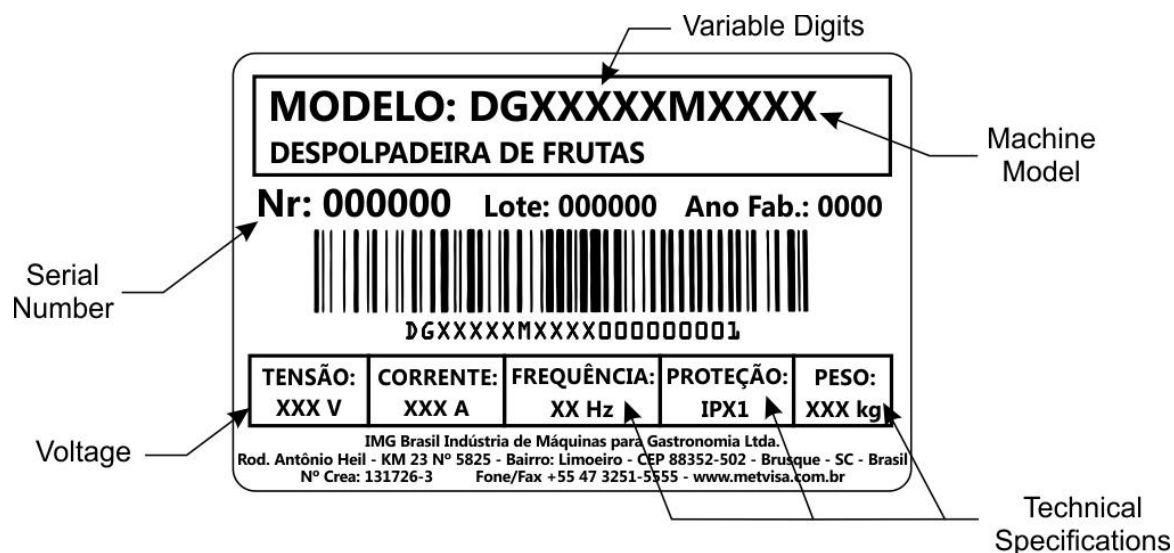
2.2 Technical Data

Model	Nominal Measures WidthxHeightxLength (mm)	Net Weight (kg)	Voltage (V)	Nominal Current (A)	Capacity (L)
DG10110M60N4	362x1043x600	25,1	110	8,3	10
DG10220M50N1	362x1043x600	25,1	220	2,8	10
DG10220M50N2	362x1043x600	25,1	220	2,8	10
DG10220M50N4	362x1043x600	25,1	220	2,8	10
DG10220M60N4	362x1043x600	25,1	220	4,8	10
DG20110M60N4	356x1043x695	31,0	110	8,3	20
DG20220M50N1	356x1043x695	31,0	220	4,2	20
DG20220M50N2	356x1043x695	31,0	220	4,2	20
DG20220M50N4	356x1043x695	31,0	220	4,2	20
DG20220M60N4	356x1043x695	31,0	220	4,8	20



WARNING!

Features such as model, serial No. and electrical device voltage are indicated on the data label (figure below). Before installation check if device's voltage is according to the electrical outlet.



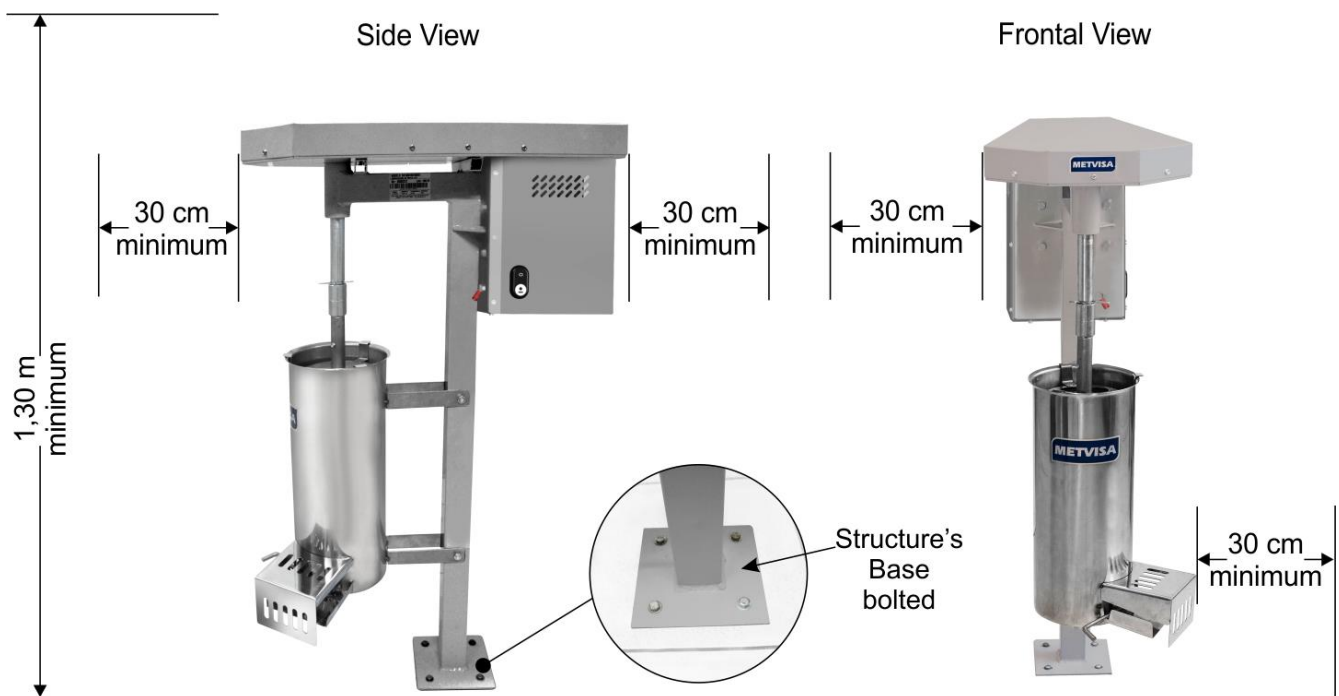
3. Installation

3.1 Device Layout

The connection to the Electrical Outlet and the arrangement for the operation must be performed by a qualified professional. Check if the device voltage is according to the electrical outlet.

During installation, it is essential to indicate this manual for the professionals who will make it.

The device's Base must be bolted on a plan surface, well leveled, dry and stable, away from sources of heat and water taps. Install your device leaving a distance of at least 30 cm around it, and with 1,30 m of high, enough space to perform inspection, maintenance, cleaning and use.



WARNING!

The installation and the place where it will be set must comply with the rules of prevention of risk and safety at work (Regulatory Standard present on your country).

The manufacturer is not responsible for possible direct or indirect damages caused by non-compliance with rules and instructions in this manual.

3.2 Electrical Connection

The device is supplied with a power cable to be connected to an electrical outlet. If the power cable is damaged, it must be replaced by a new cable. The exchange must be carried out by the manufacturer, dealer or qualified person in order to avoid risks.

The power cord plug varies depending on the country. The installation of the device must be done by a technician qualified for this function and always observing the current regulatory standard of the country, in special about ground connection (if applicable).

The equipments are supplied with an equipotential grounding terminal located in the case, near the structure of the appliance.



The post identified in the figure below is an additional guard for the grounding that is provided in the mains, it must be connected to a grounding terminal bar, regardless of the connection to the mains, and other products that have accessible metallic parts. And which are stationary, must also be connected to this bus as well as the service bench itself, in case it is of metallic material. In this way all these products will be under the same electrical potential avoiding undesirable currents of leakage.

All device's models described on this manual are single phase and mono-voltage, it is, 110 V or 220 V. If necessary to change device's voltage contact manufacturer or dealer.



WARNING!

Before connecting your device, always checks if the main supply voltage is the same as the device voltage.

The device supply voltage is 110 V (60 Hz) or 220 V (50 Hz or 60 Hz), as can be seen in the voltage label pasted on the power cord or as indicated on the identification label, which is on the back of the device (see figure of this label in item 2.2 of this manual).

Make sure that the main voltage where the device will be installed is compatible with the voltage shown in those labels.

For more details about the electrical part of the device, see the wiring diagram in the manual.

IMPORTANT

The manufacturer is not responsible for possible direct or indirect damages caused by non-compliance with rules and instructions in this manual.

3.3 Security Measures and User Instructions

The professional who sell the device must instruct the user about the correct operation and must deliver him this instruction manual.

The user must be informed about the necessary safety measures and have to respect them, and also respect all the measures described in this manual.

Your appliance has mechanical protections (see item 1.2 Mechanical Safety) that prevent access to moving parts and electrical components. Removal or tampering with these safety components can cause serious risks to the operator's upper limbs.

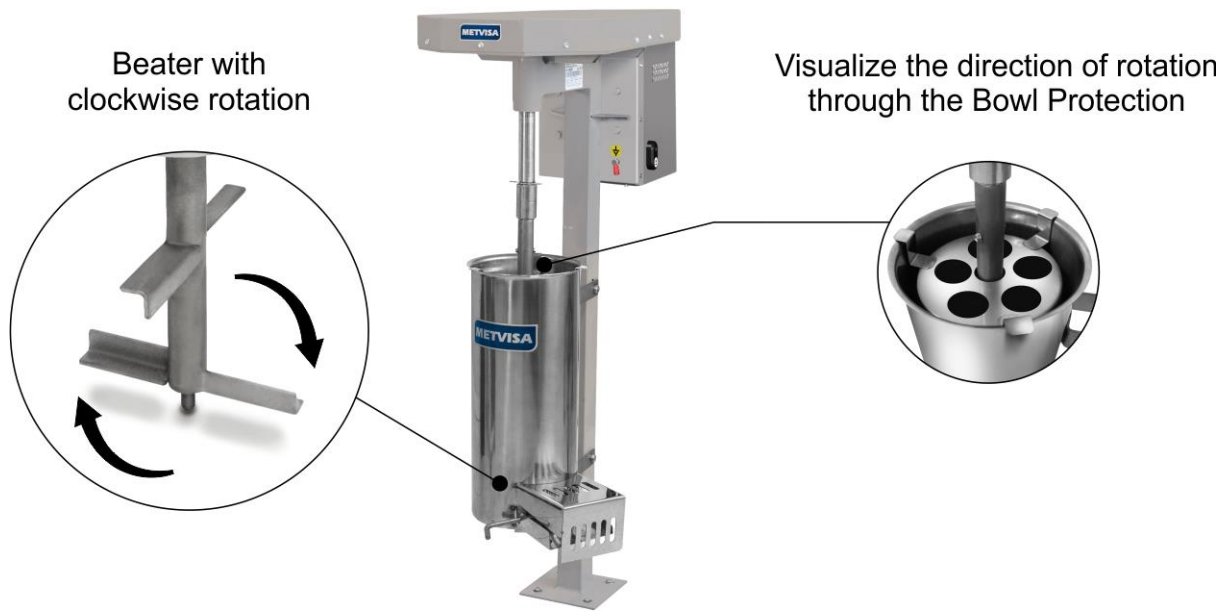


ATENÇÃO!

Before operating your appliance, check the direction of rotation of the beater.

Turn on the appliance and view through the bowl protection if the beater is rotating clockwise as shown below.

If the beater is rotating counterclockwise, refer to the wiring diagram in item 6 Attachments or contact your nearest authorized service center.



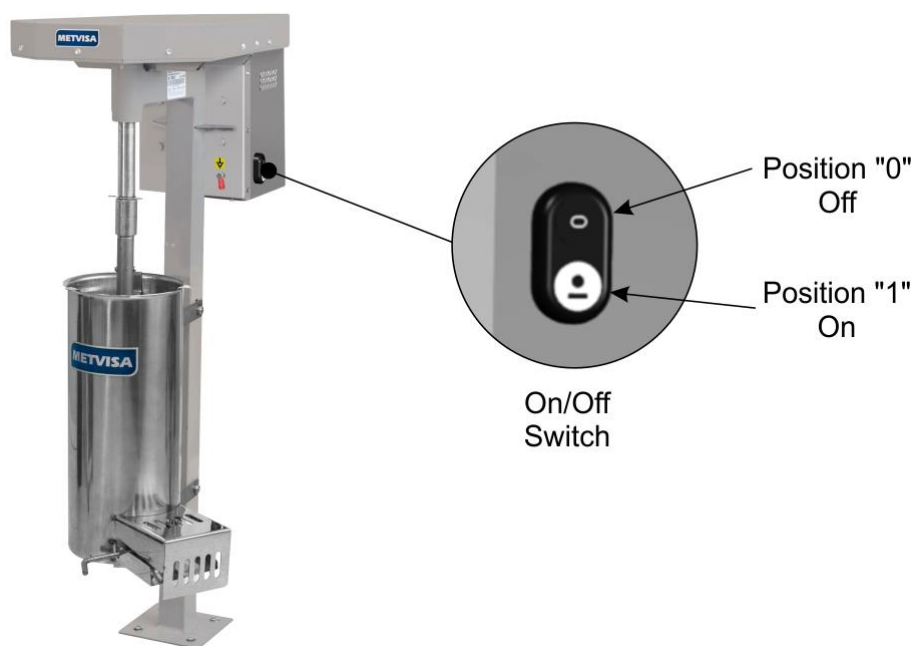
4. Device's Use

4.1 Utility

This device was made only to extract pulp of Açaí and similar fruits.

4.2 Commands

The device consists of only an On/Off switch located on the side of the case.



See description of each button:

- **On/Off Switch** – used to turn on an off the device. In position "1" turn on, in position "0" turn off.

4.3 Operating Procedures

Before operating your device, perform a cleaning of components that have contact with pulp (Bowl, Bowl Protection, Strainers, Beater, etc.), to do so make sure that the device is disconnected from the power outlet, then disassemble. Follow the cleaning instructions in section 5 of this manual.



Check the assembly and disassembly procedure described below.

• Disassembly:

①

Before disassembly procedure, unplug the device from power outlet.



②

Remove the Clamp and raise the Sleeve. To keep Sleeve up, place the Clamp on the notch above the Sleeve



③

Lift the Bowl Protection to the screws limit and push the Beater to opposite side of the semi axis



④

Remove the Beater pulling it up



⑤

To remove the Bowl, loose the screws and nuts of the Bowl Support using an appropriate tool

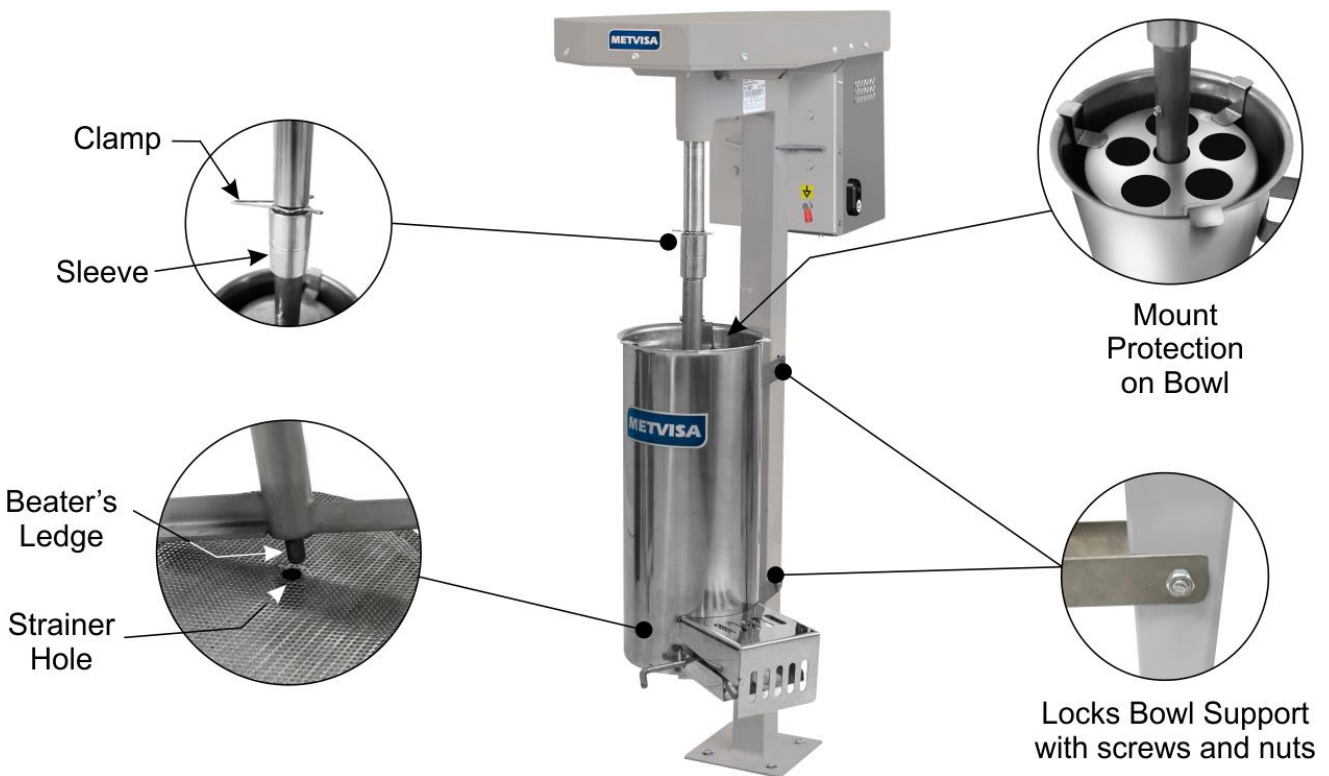


⑥

To remove the Strainer, turn the Bowl upside down



• **Assembly:** The assembly procedure is the reverse of removal. When remounting the Strainer, choose the suitable model to the process and mount it on the bottom of the Bowl with fold down. Use screws and nuts to lock the Bowl Support on device's structure. Mount the Beater's Ledge on the Strainer Hole. With one hand, lift the Bowl Protection and with the other hand mount the Beater on Semi Axis. Mount the Protection inside the Bowl. Remove the Clamp to down the Sleeve, and then remount the Clamp to lock the Sleeve. All parts must be mounted perfectly to avoid clamping or abrasion, and to guarantee operator's safety.



If any part has not been properly seated, repeat the operation and if not getting success, contact technical assistance.



WARNING!

Never turn on the device with the Beater, Bowl or Bowl Protection out of position, because it could cause accidents.

- **Operation:** Before turning on the device, be sure that the demountable components (Bowl, Beater e Strainer) are well seated, the Door is locked by the Lever, and the device's voltage is according to the electrical outlet.

After verified all those items, follow the operation procedures:

- Connect the power cord to the electrical outlet;
- Set a container down the Bowl to store the pulp that exits from the Tube;
- Add fruits and some water;
- Turn the power switch to "1" (on), at which point the beater begins to rotate. Leave the appliance on for a few seconds;
- Keep adding water until stops exiting pulp from the Bowl Tube;
- Place another container down the Gutter to collect waste from process;
- While device is turned on, open the Bowl Door using the Lever and add water on the Bowl to remove all waste through the Gutter;
- After the process finishes, press position "0" (OFF) on the On/Off Switch.



WARNING!

Keep your device turned on when refill the Bowl with fruits.

If the device cannot process the pulp or stops processing, reduce the quantity of fruits, before inserting on the Bowl. Do this not to prejudice speed and performance of the electric motor, and the life cycle of the device.



WARNING!

Never place hands, fingers or objects (spoons and knives) through Bowl Protection and on other mobile parts while device is turned on, it might cause an accident.

Any irregularity contact the nearest authorized service.

IMPORTANT

The operator must use the appropriate PPE (personal protective equipment). For example: use cap in hair preventing it from locking up in moving parts and appropriate gloves to guarantee hygiene when handling fruits, also protects the operator during the pulp processing.

5. Cleaning and Maintenance

5.1 Procedures for Cleaning and Products to be used

Your device was built with first class materials, so use it correctly and get great satisfaction. Keep it always clean and well maintained, by doing this, your device will have longer life cycle.

You must do daily cleaning on the device for a good operation and durability.



WARNING!

Before performing maintenance or cleaning, ensure that the On/Off Switch is in position "0" (off) and that the plug is disconnected from the mains.



WARNING!

Do not use a water jet or steam cleaner to clean the device.

IMPORTANT

This device is not intended to be fully immersed in water for cleaning. Follow the instructions below to learn which parts can be immersed and which one needs special care.

Demountable parts (Bowl, Strainers and Beater) should be removed from the device and washed with water and soap. Thoroughly clean the corners, eliminating waste from the food.

When washing the Beater but the waste stills on Bowl Protection and it is necessary to remove the Protection, loose the screws from Beater Axis using appropriate tool.

The device must be cleaned as many times as possible, to prevent dry food waste from sticking on parts. For cleaning, dilute soap or mild detergent in warm water and apply with a soft cloth. With a cloth humidified with water rinse the device and then, dry the parts with a soft dry cloth.

Never use abrasive products or sponges and substances containing acids or chlorine to clean the metal parts, as they may scratch or damage the surface of the parts causing corrosion. Do not

spill water on the engine and electrical parts for cleaning, otherwise, turning it on may cause electric shock or even burn the unit.



WARNING!

Once the cleaning of the Bowl Protection is finished, reset the Protection and the screws on the Beater Axis.

Never operate the device without the Bowl Protection locked with screws and seated on the Bowl, it might cause an accident.

IMPORTANT

The manufacturer is not responsible for possible direct or indirect damages caused by non-compliance with rules and instructions in this manual.

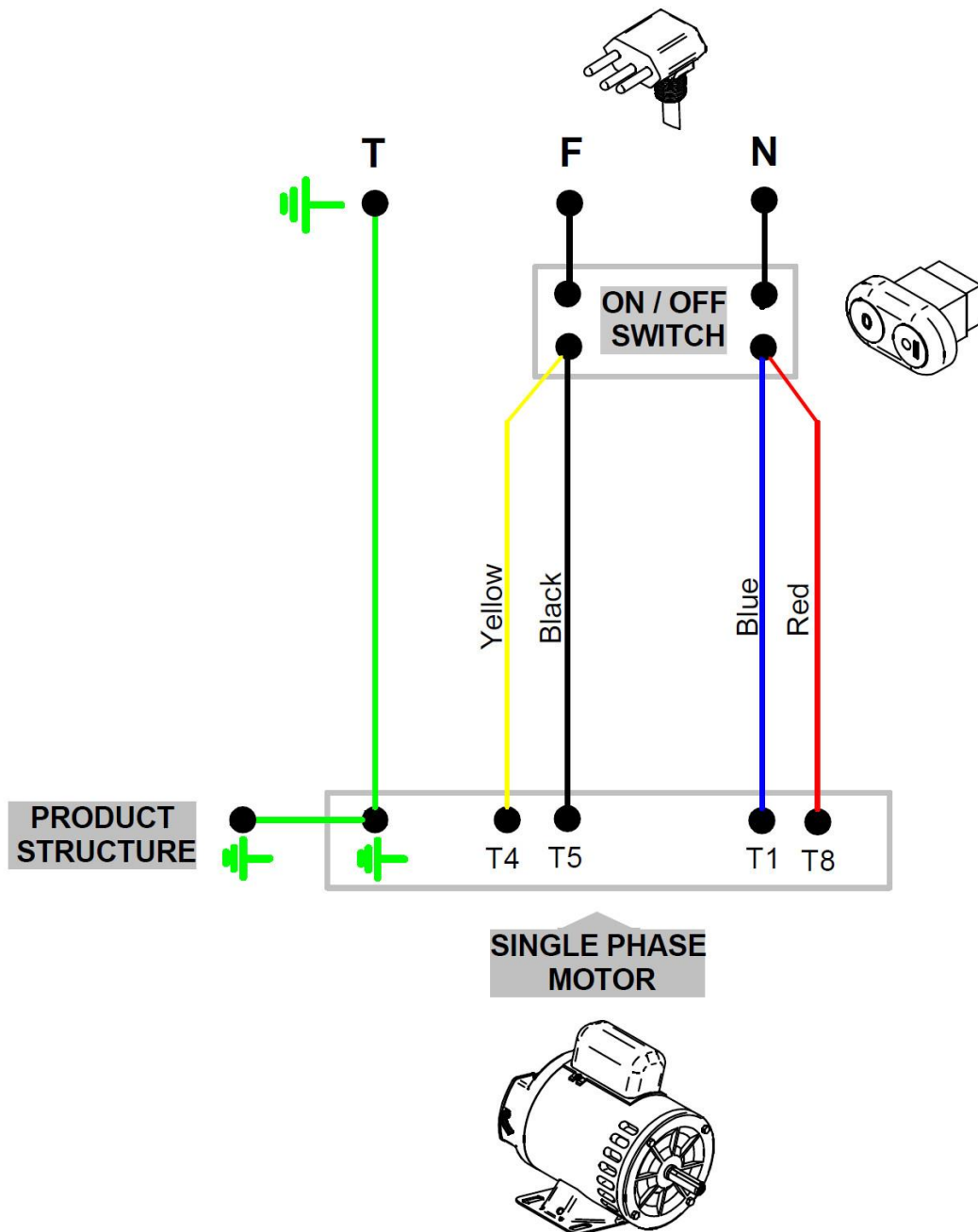


WARNING!

It is extremely important that the products used in cleaning ensure maximum hygiene and are nontoxic.

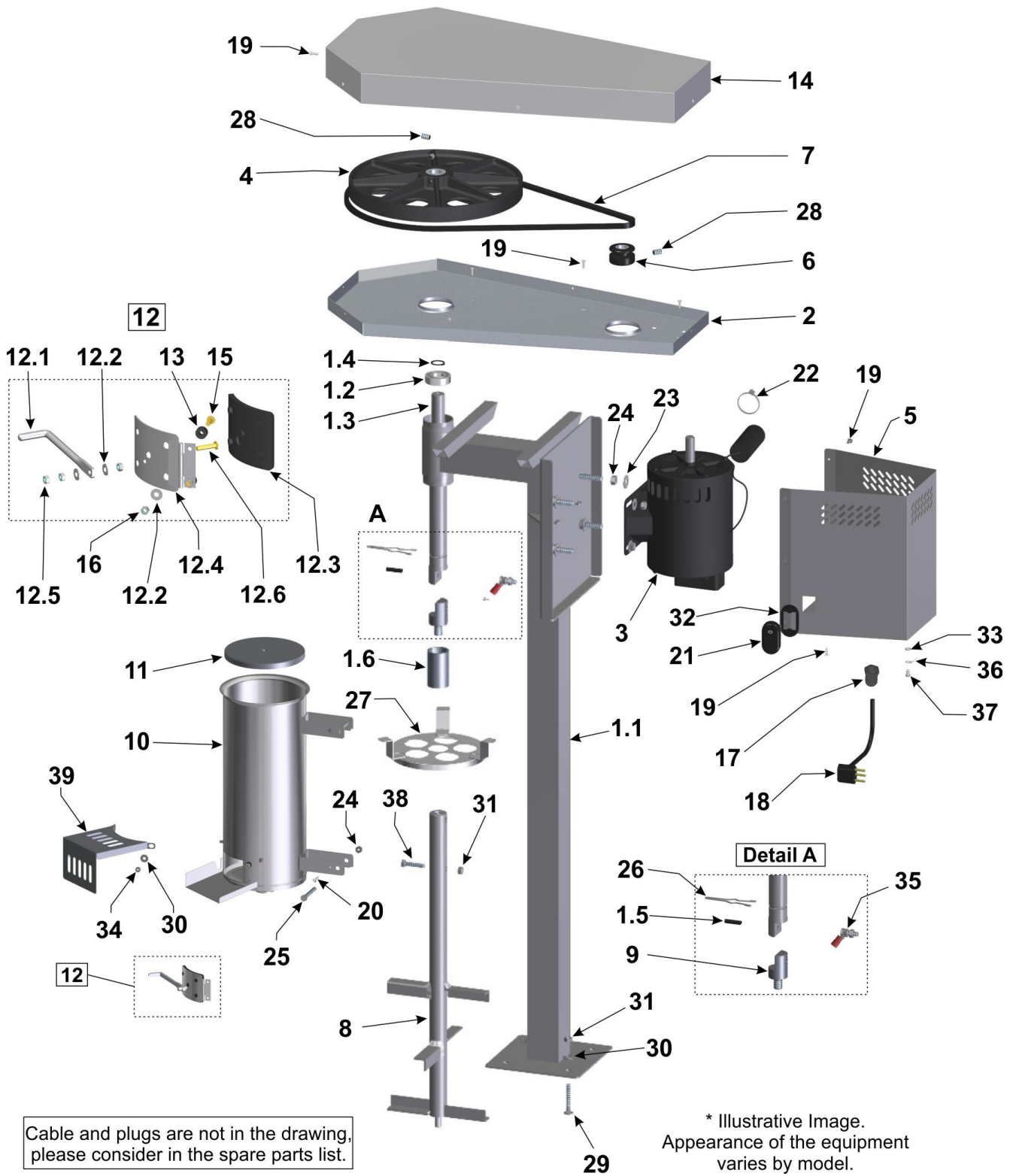
6. ANNEX

Wiring Diagram



NOTE: Motor with dual direction of rotation. To reverse rotation, change T5 to T8.

Exploded Drawing



Spare Parts List

Posição	Código	Descrição	Quant.	Aplicação para o Modelo
1	CJT911	Assemble Structure		
1.1	ETR130	Structure	01	*
1.2	ROL050	Bearing	02	*
1.3	EIX047	Semi Axis	01	*
1.4	APE004	Locking Ring	01	*
1.5	PNL009	Elastic Pin	01	*
1.6	LUV005	Sleeve	01	*
2	CRC1040	Bottom Cover	01	*
3	MTE206	Electric Motor 1/2 cv – 110 V – 60 Hz	01	*
	MTE207	Electric Motor 1/2 cv – 220 V – 60 Hz		
	MTE030	Electric Motor 1/3 cv – 220 V – 50 Hz	01	DG.10
	MTE003	Electric Motor 1/2 cv – 220 V – 50 Hz	01	DG.20
4	POL044	Pulley	01	*
5	GAB191	Case	01	*
6	PMT007	Motor Pulley	01	*
7	COR037	Belt	01	*
8	CJT123	Beater	01	DG.10
	MTR004			DG.20
9	EIX108	Semi Axis	01	*
10	BOJ011	Bowl	01	DG.10
	BOJ012			DG.20
11	PIA015	Strainer Ø 0,8 mm	01	DG.10
	PIA018			DG.20
	PIA016	Strainer Ø 1,5 mm	01	DG.10
	PIA019			DG.20
	PIA017	Strainer Ø 5,0 mm	01	DG.10
	PIA020			DG.20
12	CJT913	Assemble Door	01	DG.10
	CJT914			DG.20
12.1	ALV006	Lever	01	*
12.2	ARL039	Flat Washer	02	*
12.3	BCH041	Door Rubber	01	DG.10
	BCH040			DG.20
12.4	CRC068	Door	01	DG.10
	CJT243			DG.20
12.5	POS139	Screw	03	*
12.6	PRR011	Screw	01	*
13	BCH042	Door Spacer	02	*
14	TAP151	Top Cover	01	*
15	PRR022	Screw	02	*
16	POS020	Hex Nut	02	*
17	TCE073	Rubber Eyelet	01	DG.10 / DG.20 (220 V)
18	CBE023	Electric Cable – Model 01	01	DG.10/20 - 220 V 50 Hz
	CBE029	Electric Cable – Model 02		DG.10/20 - 220 V 50 Hz
	CBE001	Electric Cable – Model 04		DG.10 - 110 V 60 Hz
	CBE002	Electric Cable – Model 04		DG.20 - 110 V 60 Hz
	CBE030	Electric Cable – Model 04		DG.10/20 220 V 50 e 60
19	RBT002	Rivet	19	*
20	PRA008	Screw	02	*
21	CHE064	On/Off Switch	01	*

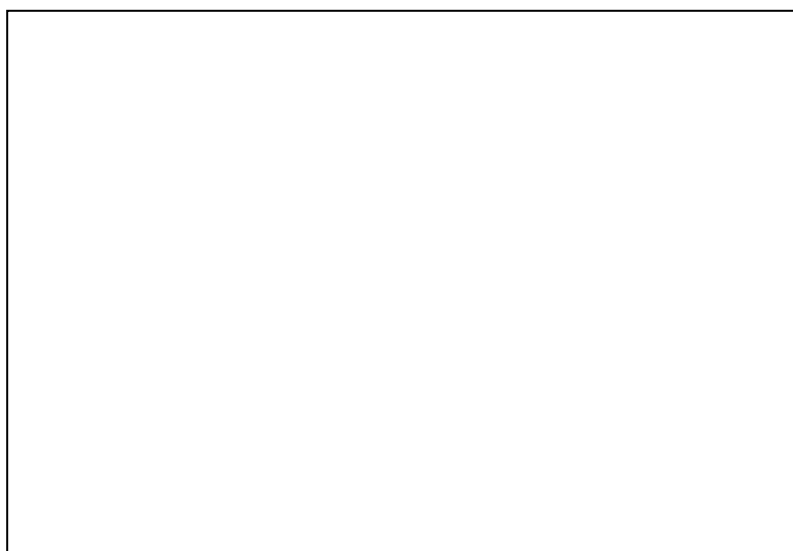
* Item applicable to all Fruit Pulp Engine models.

Spare Parts List

Posição	Código	Descrição	Quant.	Aplicação para o Modelo
22	FIA008	Plastic Clamp	01	*
23	ARL003	Flat Washer	08	*
24	POS004	Hex Nut	10	*
25	PRS012	Screw	02	*
26	PRL006	Clamp	01	*
27	PTC062	Bowl Protection	01	DG.10
	PTC069		01	DG.20
28	PRN001	Screw	03	*
29	PRF002	Screw	02	*
30	ARL004	Flat Washer	04	*
31	POS005	Hex Nut	03	*
32	BCH058	On/Off Switch Frame	01	*
33	POS006	Hex Nut	01	*
34	POS018	Hex Nut	02	*
35	CJT386	Terminal	01	*
36	TCE007	Grounding Terminal	01	*
37	PRR005	Screw	01	*
38	PRS037	Screw	01	*
39	PTC153	Top Gutter Protection	01	DG.10
	PTC154		01	DG.20
40	TCE004	Fit Terminal	04	*
41	CBE167	Electric Cable Amendment	02	*
42	TCE013	Terminal	01	*
43	CBE092	Electric Cable Amendment	01	*
44	TCE033	Terminal	02	*

* Item applicable to all Fruit Pulp Engine models.

IMG BRASIL PRODUCT MANUFACTURER



IMG-BRASIL Gastronomy Machinery Industry Ltda.

CNPJ 11.193.347/0001-14 - CREA 131726-3

Rod. Antônio Heil – KM 23 Nº 5825 – Limoeiro

CEP 88352-502 - Brusque – SC – Brazil

Phone/fax. +55 47 3251-5555 - Site: www.metvisa.com.br

E-mail: sac@metvisa.com.br - export@metvisa.com.br - export2@metvisa.com.br



Discover our complete
line of products.